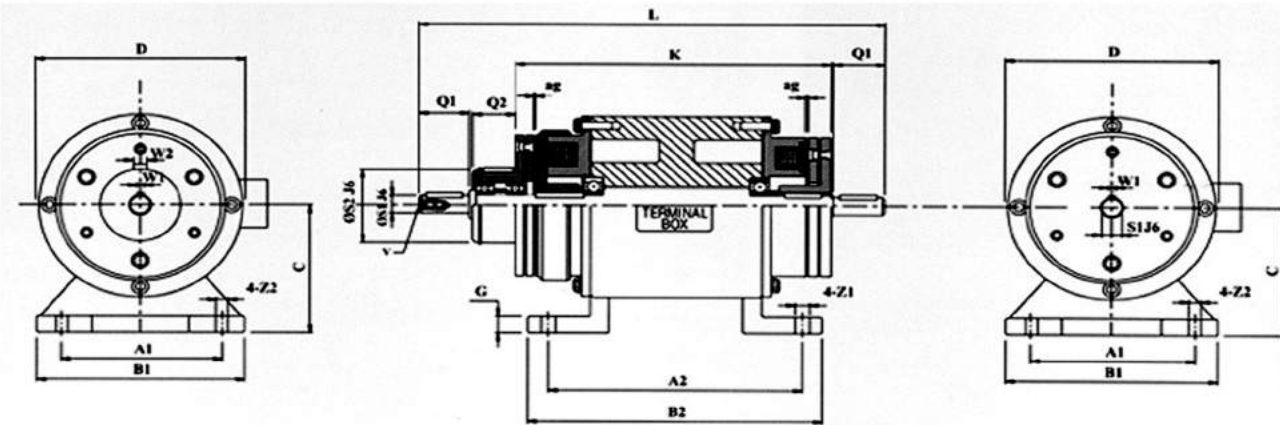


CLUTCH & BRAKE COMBINATION TYPE - UCB-T



Reach us : Electromatic Engineers Pvt. Ltd.

8-B Saheli Marg Udaipur 313001 (Rajasthan) India

Tel :- +91-294-2526933

Mobile No :- +91-9001992823 , +91-9001995895

Email : sales@clutchesbrakes.com , sales@unitorq.in

Websites : www.clutchesbrakes.com , www.unitorq.in ,

www.sytcobrakes.com



UNITORQ[®]
Clutches & Brakes

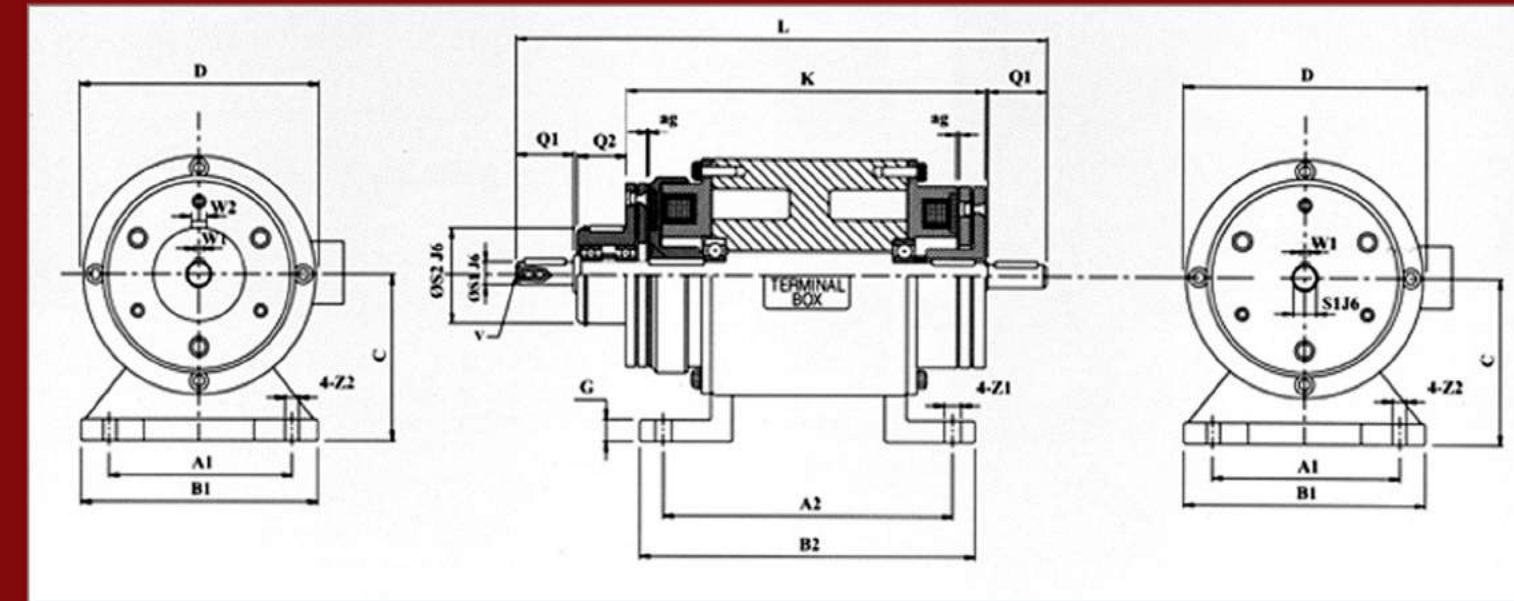
SYTCO[®]
BRAKES & TORQUE LIMITERS

Group Companies : • **Unitorq Engineers (P) Ltd. ,** • **Sytco Engineers , Latur**

OFFICES

- DELHI
- KOLKATA
- LATUR
- AHMEDABAD
- MUMBAI
- COIMBATORE
- BANGALORE
- LUDHIANA
- INDORE
- BHILAI
- VADODARA
- HYDERABAD
- CHENNAI

CLUTCH & BRAKE COMBINATION TYPE - UCB-T



Dimension Series: UCB-T

| Size/ Torque Nm | Voltage DC | Input Wattage (20° C) | | Max RPM | A1 | A2 | B1 | B2 | C | D | G |
|-----------------------|--|--------------------------|-------|------------|-------|-----|-----|-----|-----|-----|----|
| | | Clutch | Brake | | | | | | | | |
| 08 | 24/ 96/ 190 *Other Voltages on request | 15 | 11.5 | 8000 | 55 | 75 | 80 | 90 | 55 | 80 | 10 |
| 15 | | 20 | 16 | 6000 | 65 | 90 | 90 | 105 | 65 | 100 | 10 |
| 30 | | 28 | 21 | 5000 | 80 | 110 | 110 | 130 | 80 | 125 | 14 |
| 60 | | 35 | 28 | 4000 | 105 | 135 | 140 | 160 | 90 | 150 | 17 |
| 125 | | 50 | 38 | 3000 | 135 | 160 | 175 | 185 | 112 | 190 | 17 |
| 250 | | 68 | 45 | 3000 | 155 | 200 | 200 | 230 | 132 | 230 | 18 |
| 500 | | 85 | 70 | 2000 | 192.5 | 240 | 240 | 270 | 160 | 290 | 20 |

| Size | K | L | Q1 | Q2 | S1 J6 | S2 J6 | W1 | W2 | Z2 | Z1 | ag |
|------|-------|-----|-----|----|-------|-------|----|----|------|------|------|
| 08 | 106.6 | 182 | 25 | 20 | 11 | 38 | 4 | 10 | 13.5 | 6.5 | 0.25 |
| 15 | 126.6 | 216 | 30 | 25 | 14 | 45 | 5 | 14 | 13.5 | 6.5 | 0.25 |
| 30 | 154 | 270 | 40 | 30 | 19 | 55 | 6 | 16 | 15.5 | 9.0 | 0.3 |
| 60 | 183.6 | 332 | 50 | 40 | 24 | 64 | 8 | 18 | 20 | 11.5 | 0.35 |
| 125 | 222 | 400 | 60 | 50 | 28 | 75 | 8 | 20 | 24.5 | 11.5 | 0.4 |
| 250 | 276 | 505 | 80 | 60 | 38 | 90 | 10 | 25 | 28 | 14 | 0.5 |
| 500 | 334 | | 110 | 70 | 42 | 115 | 12 | 32 | 28.5 | 14 | 0.5 |

1Nm=0.102 kgm = 0.737 lb-ft=10.2 kgcm

All dimensions are in mm only

Reach us : Electromatic Engineers Pvt. Ltd.

8-B Saheli Marg Udaipur 313001 (Rajasthan) India

Tel :- +91-294-2526933 Mobile No: +91-9001992823, +91-9001995895

Email : sales@clutchesbrakes.com , sales@unitorq.in

Websites: www.clutchesbrakes.com, www.unitorq.in, www.sytcobrakes.com

UNITORQ[®]
Clutches & Brakes

SYTCO[®]
BRAKES & TORQUE LIMITERS



Group Companies :

- Unitorq Engineers (P) Ltd. ,
- Sytco Engineers , Latur