



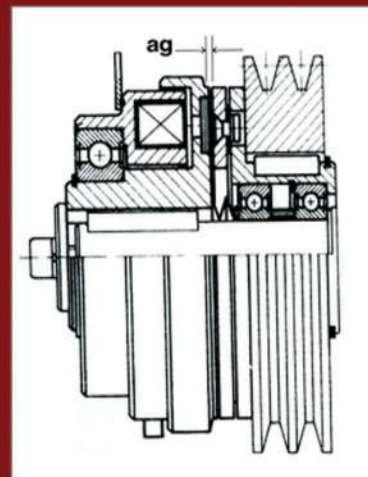
**Typical Application:**

- Textile Machines
- Packaging Machines
- Industrial washing machines
- Stone Polishing Machines
- Material handling equipments
- Marble Cutting Machines
- Steel Plant Machinery
- Door opening systems etc.
- Photocopiers
- Plate saws

**WORKING**

Bearing mounted clutches are normally off type and operate on DC voltage. On applying DC voltage to the stator (coil) strong magnetic field is produced, which pulls the armature towards the friction material of the rotor over the air gap and torque gets transmitted free of backlash.

On switching off power supply, the unique prestressed spring the armature back into the original position and clutch is positively released free from residual torque.



MOUNTING

**Reach us : Electromatic Engineers Pvt. Ltd.**

8-B Saheli Marg Udaipur 313001 (Rajasthan) India

Tel :- +91-294-2526933

Mobile No :- +91-9001992823 , +91-9001995895

Email : sales@clutchesbrakes.com , sales@unitorq.in

Websites : www.clutchesbrakes.com , www.unitorq.in ,

www.sytco brakes.com

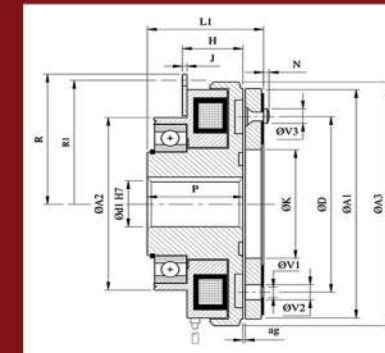


**Group Companies :** • **Unitorq Engineers (P) Ltd. ,** • **Sytco Engineers , Latur**

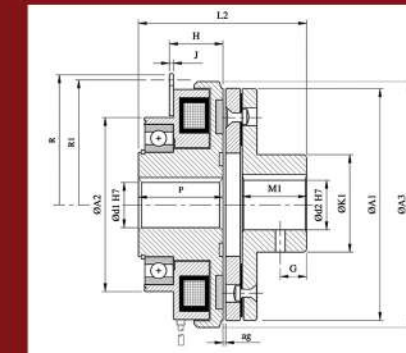
**OFFICES**

- DELHI
- COIMBATORE
- VADODARA
- KOLKATA
- BANGALORE
- HYDERABAD
- LATUR
- LUDHIANA
- CHENNAI
- AHMEDABAD
- INDORE
- MUMBAI
- BHILAI

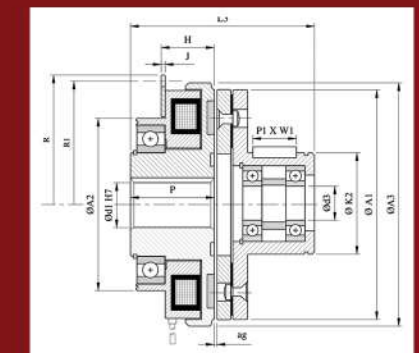
CLUTCH WITHOUT FLANGE HUB  
DESIGN : 602



CLUTCH WITHOUT FLANGE HUB  
DESIGN : 606



CLUTCH WITH BEARING  
MOUNTED FLANGE HUB - DESIGN : 608



**DIMENSIONS - UBC SERIES**

Size/ Torque Nm	Voltage DC	Input Wattage W	Max. rpm	Bore Diameters d1H7&d2H7			D3 k6	A1	A2	A3	D	G	H	J	K
				Pilot	Std	Max									
8	24/96/ 105/~ 190/ 205 *Other Voltages on request	15	8000	10	10,12,14	15	12	63	64	68	46	5	26	2.5	34.5
15		20	6000	10	15,17,19	20	15	80	68	85	60	8	28	2.5	41.5
30		28	5000	14	20,25,28	30	20	100	85	106	76	10	32.5	3.0	51.5
60		35	4000	14	25,30,38	40	25	125	100	133	95	12	36.5	3.0	61.5
125		50	3000	20	25,30,40	50	30	160	127	170	120	15	41.5	3.5	79.5
250		68	3000	25	30,40,50	60	40	200	151.5	213	158	20	47.0	4.0	99.0
500	85	2000	25	40,45,50	60	45	250	152.4	265	210	30	55.0	4.0	125	

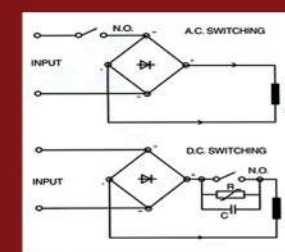
Size	K1	K2	L1	L2	L3	M1	N	P	R	R1	PI	W1	VI	V2	V3	Z1	Z2	ag.
8	28	38	43.7	59	67	15	1.5	40	41	36	14	10	3x3.2	3x6.3	3x6	4.1	12	0.3
15	33	45	47.7	68	77	20	1.8	43.5	53	45	20	14	3x4.2	3x8.0	3x7	5.1	14	0.4
30	43	55	54.4	80	90	25	2.1	49	60	56	22	16	3x5.2	3x10.5	3x9	6.1	16	0.5
60	20	64	61.5	92	108	30	2.8	55	72.5	68.5	32	18	3x6.2	3x12	3x10	6.1	18	0.5
125	65	75	69.5	108.5	128.5	38	3.4	61.5	99	93	40	20	3x8.2	3x15	3x13	8.1	20	0.6
250	84	90	83.0	133	155	48	4.5	73	113.5	107.5	50	25	3x10.2	3x18	3x16	8.1	20	0.8
500	105	115	92.0	149.5	175	55	4.5	81	141	135	50	32	4x12.2	4x22	4x20	8.1	20	0.8

Note : Higher size bearing mounted clutch with torques ranging between 625 Nm to 2550 Nm are available along with dimensional details on request.

1 Nm=0.102 kgm = 0.737 lb-ft=10.2 kgcm

Specifications are subject to change without notice

All dimensions are in mm only



**SWITCHING :**

Normally off type clutches operate on D.C. voltage, hence A.C. to D.C. conversion is done by means of a suitable rectifier.

Switching of the clutch can be on either side. However, once application demands, higher switching frequency / faster engagement and disengagement time, switching must be carried out on D.C. side. To restrict the high inductive voltage / back EMF a suitable suppressor and capacitor network is provided across the contactor coil.

**Reach us : Electromatic Engineers Pvt. Ltd.**

8-B Saheli Marg Udaipur 313001 (Rajasthan) India

Tel :- +91-294-2526933 Mobile No: +91-9001992823, +91-9001995895

Email : sales@clutchesbrakes.com , sales@unitorq.in

Websites: www.clutchesbrakes.com, www.unitorq.in, www.sytco brakes.com



Group Companies :

- Unitorq Engineers (P) Ltd. ,
- Sytco Engineers , Latur